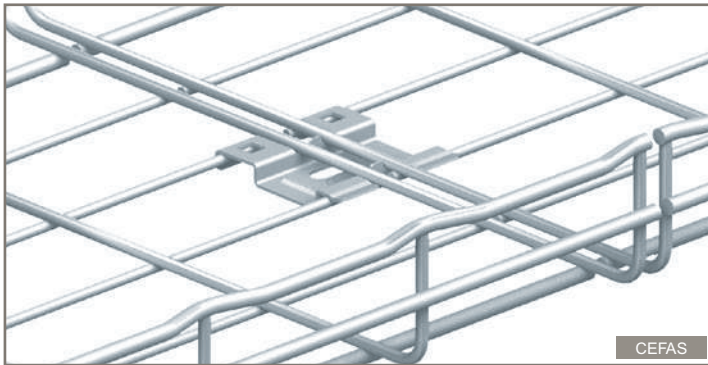
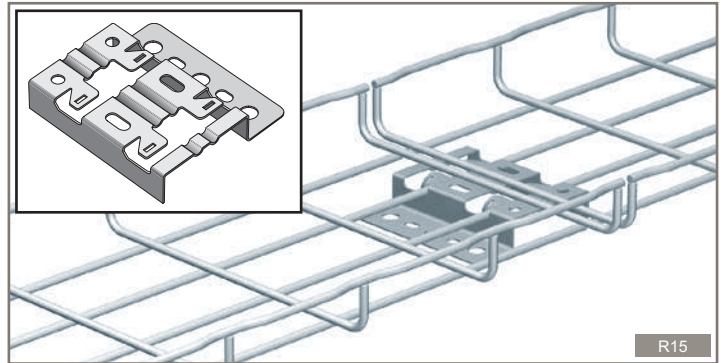
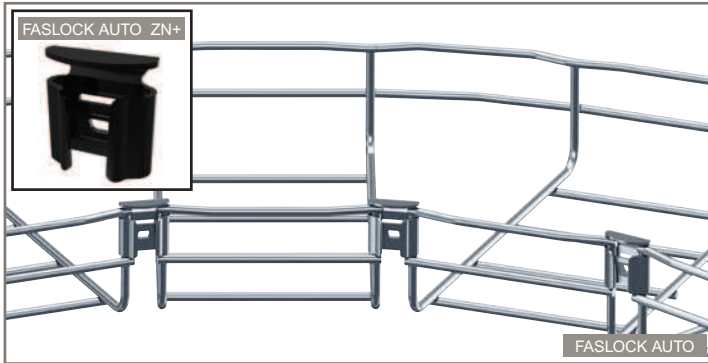


couplers and connectors – FASLOCK AUTO - CEFAS - R15/25/35



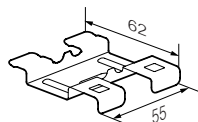
Dimensions and technical information p. 59-65

NOTE : please use Cat. No. when placing your order

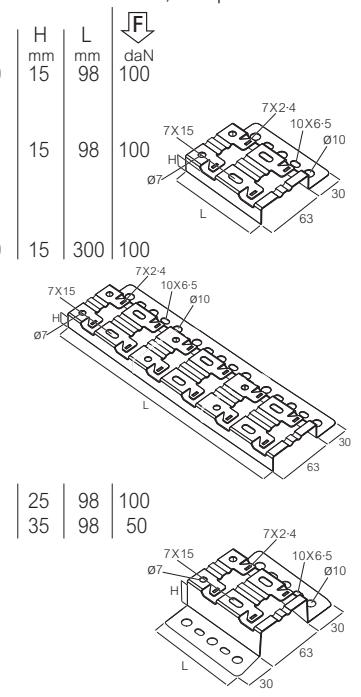
Pack	Cat. Nos.	FASLOCK AUTO – connectors
		\updownarrow 30 / 54 / 105 mm \curvearrowright 100 → 600 mm For technical information, see p. 63
25	EZ DC CM558340 CM558347	FASLOCK S \curvearrowright 100 → 200 mm
25	CM558320 CM558327	FASLOCK XL \curvearrowright 300 → 600 mm
25	316L CM558344	FASLOCK S \curvearrowright 100 → 200 mm
25	CM558324	FASLOCK XL \curvearrowright 300 → 600 mm
25	ZN+ CM350835	ZN+ colour : black FASLOCK S \curvearrowright 100 → 200 mm
25	CM350836	FASLOCK XL \curvearrowright 300 → 600 mm



Pack	Cat. Nos.	CEFAS – base couplers
		\updownarrow 30 → 150 mm \curvearrowright 100 → 600 mm For technical information, see p. 64
50	GS DC CM558410 CM558417	
50	316L CM558414	



Pack	Cat. Nos.	R15 / R25 / R35 – stand-off brackets
		\updownarrow 30 → 150 mm \curvearrowright 100 → 600 mm For technical information, see p. 65
1	GS ZM CM586170 CM586173	R15/100
1	316L CM586174	
1	GS ZM CM586610 CM586617	R15/300
1	GS ZM CM586640 CM586647	R25
1	CM586650 CM586657	R35



Key:	GS	Pre-galvanised	DC	Zinc rich coating
	EZ	Electrogalvanised after manufacture	ZM	Zinc magnesium
	ZN+	Zinc nickel plus additional coating (black)	316L	Stainless steel 316 L

For detailed information related to finishes, refer to p. 132-133

All dimensions (mm) are nominal